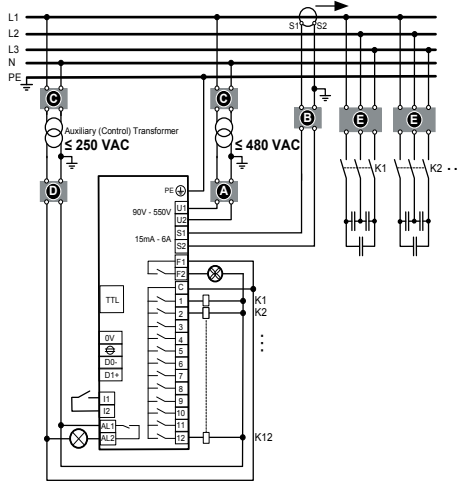


DB-417842 Presentation.eps

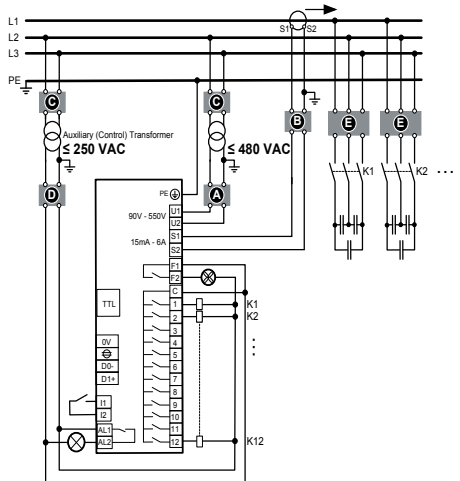


VarPlus Logic VL6, VL12

Phase-to-Neutral with VTs (3PH4W)



Phase-to-Phase with VTs (3PH3W)



- A** Upstream protection
Voltage input: 2A certified circuit breakers or fuses
- B** Shorting block for CT
- C** VT primary fuses and disconnect switch
- D** Output relays: 10 A (max.) certified circuit breakers or fuses (Applicable for applications with voltage transformers only).
- E** Capacitor primary fuses or CB's

Capacitor bank step monitoring

- Monitoring of all the connected capacitor steps.
- Real time power in "kvar" for the connected steps .
- Remaining step capacity per step as a % of the original power since installation.
- Derating since installation.
- Number of switching operations of every connected step.

System Measurement and monitoring

- THD(u) and THD(u) Spectrum 3rd to 19th – Measurement, Display and Alarm.
- Measurement of DQ – "kvar" required to achieve target cos phi.
- Present cabinet temperature and maximum recorded temperature.
- System parameters – Voltage, Current, Active, reactive and apparent power.
- Large LCD display to monitor real step status and other parameters.

Easy Commissioning

- Automatic Initialization and automatic step detection to do a auto commissioning.
- Automatic wiring correction - voltage and current input wiring correction.
- 1A or 5A CT secondary compatible.

Flexibility to the panel builder and retrofitting

- No step sequence restriction like in the traditional relays.
- Any step sequences with auto detect. No programming needed.
- Easy to retrofit the faulty capacitor with different power.
- Quick and simple mounting and wiring.
- Connect to the digitized Schindler solutions through RS485 communication in Modbus protocol.
- Seamless connection to the Schneider software and gateways.

Do more with VarPlus Logic

- Programmable alarms with last 5 alarms log.
- Suitable for medium voltage applications.
- Suitable for 4 quadrant operations.
- Dual cos phi control through digital inputs or export power detection.
- Dedicated alarm and fan control relays.
- Advance expert programming Menu to configure the controller the way you need.
- New control algorithm designed to reduce the number of switching operations and quickly attain the targeted power fact

Alarms

- Faulty Step
- Configurable alarm for step derating
- THDu Limit alarm.
- Temperature alarm
- Self correction by switching off the steps at the event of THDu alarm, temperature alarm and overload limit alarm.
- Under compensation alarm
- Under/Over Voltage Alarm
- Low/High Current Alarm
- Overload limit alarm
- Hunting alarm
- Maximum operational limits - Time and number of switching

Range

| Type | Number of step output contacts | Part number |
|------|--------------------------------|-------------|
| VL6 | 06 | VPL06N |
| VL12 | 12 | VPL12N |

Capacitor - Power Factor Controller

| Specification | Easy Can | VarPlus Can |
|----------------------|---------------------|----------------------|
| Standards | IEC 60831-1/2 | IEC 60831-1/2 |
| Power range | 1 to 30kVAR | 1 to 50kVAR |
| Peak inrush current | Up to 200 x In | Up to 250 x In |
| Over voltage | 1.1 x Un | 1.1 x Un |
| Over current | 1.5 x In | 1.8 x In |
| Mean life expectancy | Up to 100,000 hours | Up to 130,000 hours |
| Mounting | Upright | Upright & horizontal |

Unit price (incl.VAT) in VND

Capacitor

| Description | Reference | Unit Price |
|------------------------|-----------------|------------|
| EASYCAN 10 KVAR 440V | BLRCS100A120B44 | 2,262,700 |
| EASYCAN 15 KVAR 440V | BLRCS150A180B44 | 3,128,400 |
| EASYCAN 20 KVAR 440V | BLRCS200A240B44 | 3,791,700 |
| EASYCAN 25 KVAR 440V | BLRCS250A300B44 | 4,423,100 |
| EASYCAN 30.3 KVAR 440V | BLRCS303A364B44 | 5,155,700 |
| VARPLUS 40 KVAR 440V | BLRCH400A480B44 | 8,950,700 |
| VARPLUS 50 KVAR 440V | BLRCH500A000B44 | 10,836,100 |



EasyCan



VarPlus Can

Capacitor for detune application

| Description | Reference | Unit Price |
|---------------------------|-----------------|------------|
| VARPLUSCAN 33.9 KVAR 480V | BLRCH339A407B48 | 8,189,500 |

Detune reactor

| Description | Reference | Unit Price |
|-----------------------------|--------------|------------|
| Detune 5% 400V 50Hz 50kvar | LVR05500A40T | 31,308,200 |
| Detune 7% 400V 50Hz 50kvar | LVR07500A40T | 26,285,600 |
| Detune 14% 400V 50Hz 50kvar | LVR14500A40T | 41,867,100 |



RT Controller



VanPlus Logic VL6, VL12

Capacitor Controller

| Description | Reference | Unit Price |
|---|-----------|------------|
| VARLOGIC RT6 | 51207 | 13,380,400 |
| VARLOGIC RT8 | 51209 | 15,068,900 |
| VARLOGIC RT12 | 51213 | 16,757,400 |
| VARPLUS 6 steps, Modbus RS485, Measure real kvar, 2 cosphi setpoints | VPL06N | 21,979,100 |
| VARPLUS 12 steps, Modbus RS485 Measure real kvar, 2 cosphi setpoints | VPL12N | 28,647,300 |

Selection Table for Detune Reactor

| Effective Power (kvar) | QN at 480V | Capacitor Ref. | Network 400V, 50Hz Capacitor Voltage 480V 5.7%/ 7% Detuned Filter | | Switching: Contactor Ref | Protection: EasyPact CVS (Iuc=36kA) Ref. |
|------------------------|------------|---------------------|---|--------------------------|--------------------------|--|
| | | | 5.7% fr = 215Hz D R Ref | 7% fr = 190Hz D R Ref | | |
| 25 | 33.9 | BLRCH339A407B48 x 1 | LVR05250A40T x1 | LVR07250A40T x1 | LC1D38 x1 | LV510334 x1 |
| 50 | 67.9 | BLRCH339A407B48 x 2 | LVR05500A40T x1 | LVR07500A40T x1 | LC1D95 x1 | LV510337 x1 |
| 100 | 136 | BLRCH339A407B48 x 4 | LVR05X00A40T x1 | LVR07X00A40T x1 | LC1F185 x1 | LV525332 x1 |

| Effective Power (kvar) | QN at 525V | Capacitor Ref. | Network 400V, 50Hz Capacitor Voltage 525V 5.7%/ 7% Detuned Filter | | Switching: Contactor Ref | Protection: EasyPact CVS (Iuc=36kA) Ref. |
|------------------------|------------|---------------------|---|--------------------------|--------------------------|--|
| | | | 5.7% fr = 215Hz D R Ref | 7% fr = 190Hz D R Ref | | |
| 25 | 40 | BLRCH400A480B52 x 1 | LVR05250A40T x1 | LVR07250A40T x1 | LC1D38 x1 | LV510334 x1 |
| 50 | 80 | BLRCH400A480B52 x 2 | LVR05500A40T x1 | LVR07500A40T x1 | LC1D95 x1 | LV510337 x1 |
| 100 | 160 | BLRCH400A480B52 x 4 | LVR05X00A40T x1 | LVR07X00A40T x1 | LC1F185 x1 | LV525332 x1 |



Detune reactor